

# Dinex Repair kit 29242-RK for Iveco Stralis and EuroTech

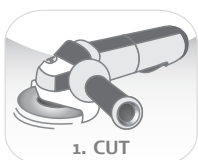
Dinex is pleased to introduce the aftermarket with the pipe rep-kit for Iveco Stralis. The Repair Kit gives the opportunity to easily repair the pipe without additional costs.

In addition to that Dinex offers full range of pipes for Iveco Stralis Euro III. For more information please contact your local sales office.



Dinex no. 78800  
Dinex Exhaust Assembly Paste

## Replacement kit for 29242 - Iveco OE 41210895



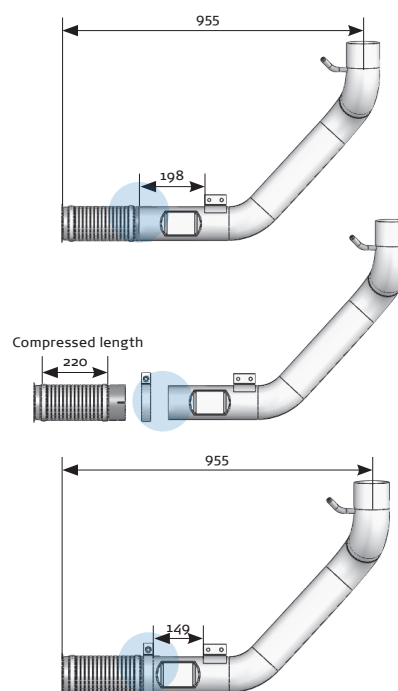
1. Cut the pipe as close as possible to the flex hose and make sure that it is not less than 198mm from the bracket.



2. Before connecting the pipes uniformly apply Dinex Exhaust Assembly Paste (78800).



3. Make sure that there is a 149 mm distance from the bracket connection point.



To ensure the best results please carefully read the Dinex Exhaust Assembly Paste instruction.

\*The assembly paste is not included in the kit.

Manufacturers part numbers are quoted for reference only || Truck | Product news | 38.15 | 115 | Printed information is subject to change without prior notice. Please refer to www.dinex.dk for most recent data, or contact your local Dinex sales office.

Quality products from Dinex – Europe's leading supplier of complete exhausts systems and emission technologies for commercial vehicles.



going the extra mile